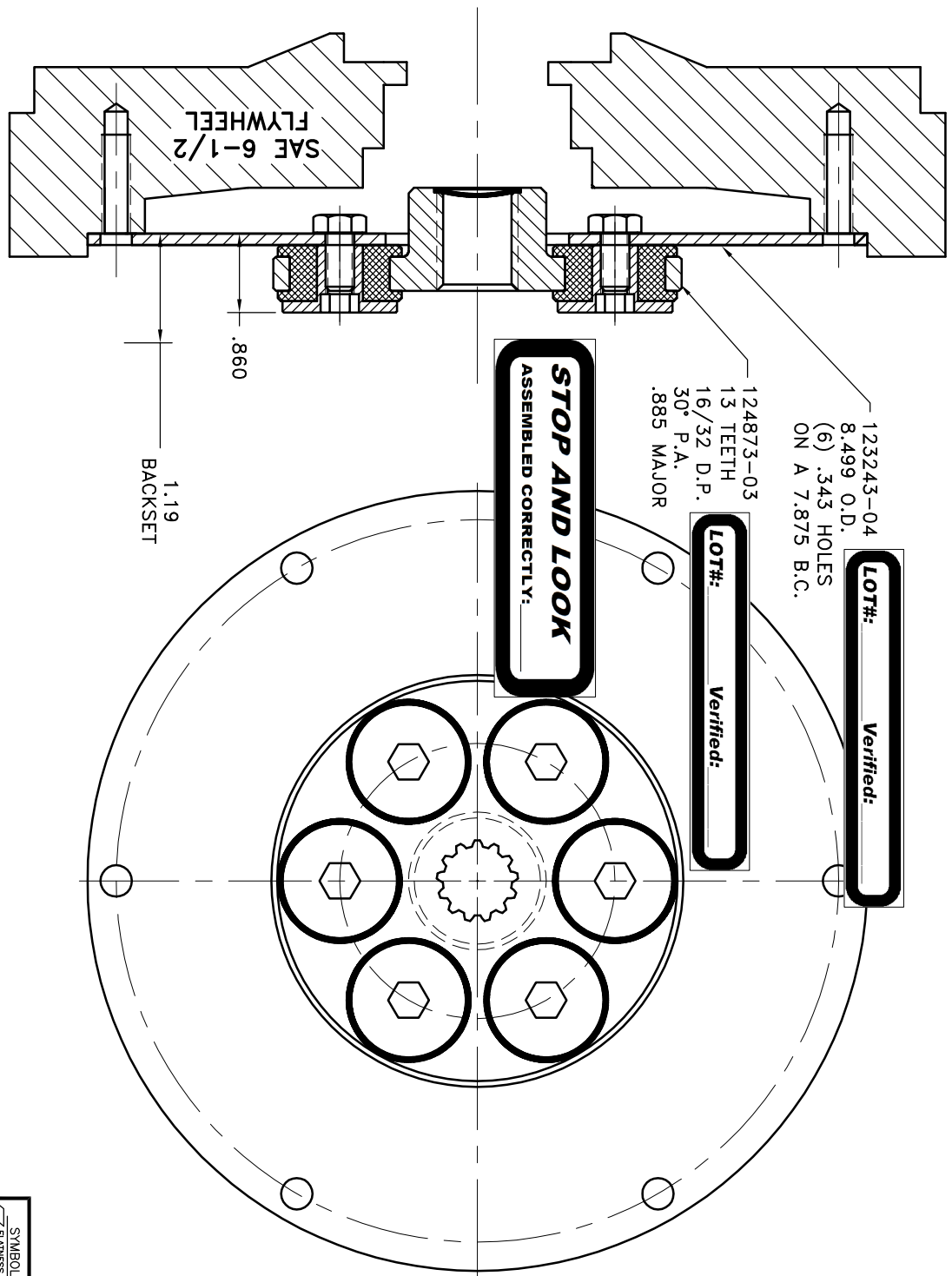


REV	DATE	CHANGE DESCRIPTION	MOD BY	CK1	CK2
C	06/20/2007	CHANGED TO BOLTED INSERTS.	ZS	HM	RJH



THIS DRAWING IS THE PROPERTY OF HAYES MFG. INC. AND IS LOANED TO YOU FOR THE CONDITION AND USE SPECIFIED. IT IS NOT TO BE REPRODUCED, COPIED, OR TRANSMITTED IN ANY FORM OR BY ANY MEANS, ELECTRONIC OR MECHANICAL, INCLUDING PHOTOCOPYING, RECORDING, OR BY ANY INFORMATION STORAGE AND RETRIEVAL SYSTEM. IT SHALL BE USED AS A MEANS OF REFERENCE TO WORK FURNISHED BY THIS COMPANY ONLY, AND IS NOT TO BE SUBMITTED TO WORK PARTIES FOR EXAMINATION WITHOUT OUR CONSENT.

100% Aligned by:

UP TO 50 HP

QTY.	DET.	PART NUMBER	DESCRIPTION
1	1	123243-04	FLYWHEEL PLATE
1	2	124873-03	COUPLING HUB
6	3	H52500	NEOPRENE INSERT
6	4	123729-01	THREADED BUSHING
1	5	HX100	5/16-24 x 5/8" HHB
1	6	HP-1125-S-32	HUBBARD PLUG
1	7	801912	GREASE

SYMBOLS FLATNESS SURFACE PERPENDICULARITY ANGULARITY PARALLELISM PERPENDICULARITY CIRCULAR RUN OUT TOTAL RUN OUT CIRCULARITY FINISH		DO NOT SCALE DRAWING TOLERANCES UNLESS OTHERWISE SPECIFIED FRACTIONS MAXIMUM ANGLE 1/32 ROUNDNESS .00 ±.01 FINISH DEPTH .000 ±.005 .000 ±.005	
CLASS MAKE <input type="checkbox"/> BUT: <input type="checkbox"/>	DRAWN BY HAYESMAN CHECKED BY RJH	DATE 3-30-92 SCALE	DRAWING NO. 124019 SHEET OF REV.
TITLE FLYWHEEL COUPLING ASSY			